

Bronze Check Valve , Y-Pattern Pressure Rating: 300 PSI (Class 150)

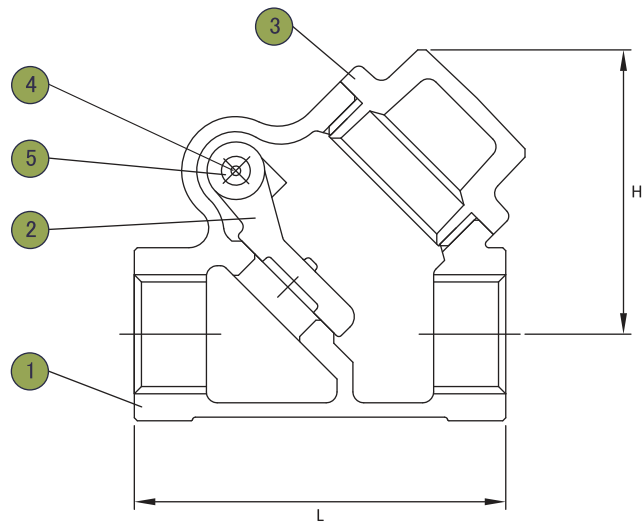
Features:

- Valve pressure rating 300 psi non-shock cold working pressure
- Metal-to-metal contact
- Y-pattern
- Threaded end connections
- Conforms to MSS SP-80
- Size range 1/2" to 2"



Dimensions List:

Size (MM)	L	H	Cv
1/2"	56.0	42.5	3.5
3/4"	70.5	51.0	6.6
1"	80.0	58.0	12.0
1-1/4"	96.5	68.0	22.0
1-1/2"	110.0	78.0	30.0
2"	129.0	96.0	50.0



Materials List:

No.	Part	Material	Specification
1	BODY	CAST BRONZE	ASTM B62 C83600
2	SCREEN	CAST BRONZE	ASTM B62 C83600
3	CAP	CAST BRONZE	ASTM B62 C83600
4	HANGER PIN	BRASS	ASTM B16 C36000
5	PLUG	BRASS	ASTM B16 C36000

Working Pressure:

Working Pressure Non-Shock (psi)	
Saturated Steam	Cold Water, Oil, Gas
150	300
Test Pressure (psi)	
Shell (Water)	Seat (Air)
450	80

Note: These check valves may be installed in both horizontal and vertical lines with upward flow or in other intermediate positions.

Warning: Not recommended for reciprocating air compressor service